



# Standard High Bay

## H09S

- Installation Height : 3-20m
- Industrial • Education • Semi-outdoor • Shop & Retail



IP65



IK10



CLASS I



5 years warranty



RG0



## Features

- IP65 / IK10
- SDCM 5(SDCM 3 optional)
- Optional Beam angle
- 71,000h ( L70 @Ta 25 °C ) 5 years warranty
- Emergency/Microwave/Dimmable/EnOcean available
- Different accessories for different easy installation
- Respirator unique designed to best heat dissipation.
- Designed to replace traditional high ceiling applications



Rated voltage  
100-240V

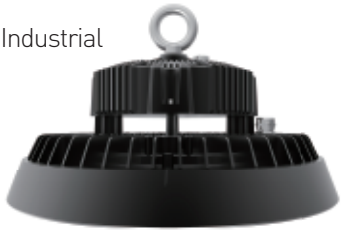
Frequency  
50-60Hz

±50°C  
-30°C





For Industrial



Good heat dissipation



Clear Glass

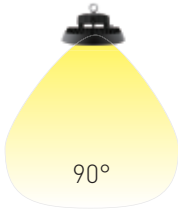


PC Lens



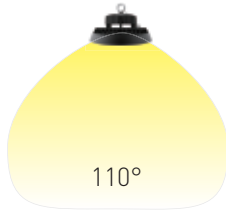
60°

PC Lens



90°

Clear Glass

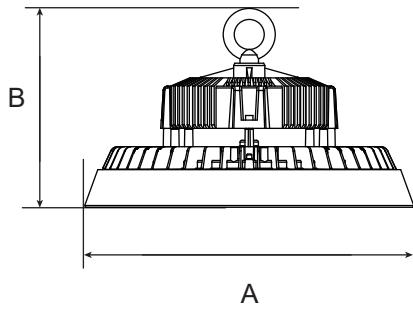


110°

## Application

- **Industrial**  
Warehouses, Production halls, Parking areas
- **Education**  
Cafeteria, Auditorium, Sports halls, Pools, Warehouse
- **Semi-outdoor**  
Pools, Airports, Train stations, Toll stations
- **Shop & Retail**  
Shopping mall, Supermarkets
- **Architectural**  
Exhibition center, Concert hall

## Product Dimension



Model NO.	Size A(mm)	Size B(mm)
H09S	280	190
H09S	360	210

## Parameter

Model NO.	Power(W)	Lumen Ra70 160lm/W	Lumen Ra80 150lm/W
H09S-R280	100	16000	15000
H09S-R280	150	24000	22500
H09S-R360	200	32000	30000
H09S-R360	240	38400	36000

### Notes:

- Operating temperature: -30~+50 C
- All values in +25°C ambient temperature, luminous flux tolerance +-5%, output power tolerance +-5%.

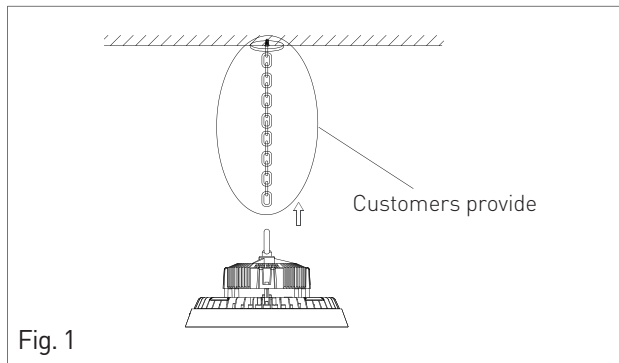
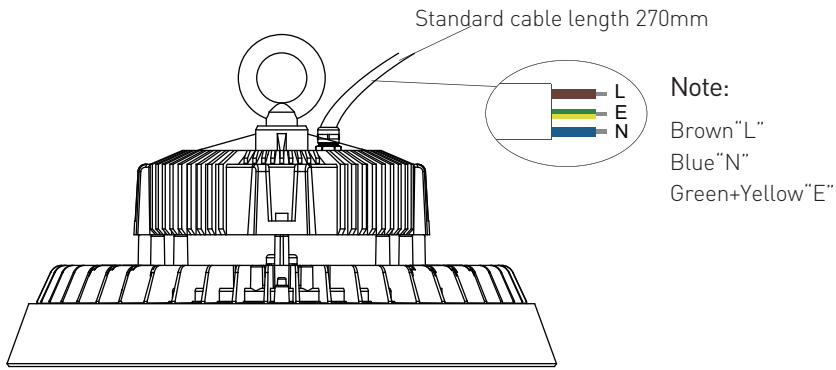
AC Input	100-240V
Light Source	3030/5050
CRI Range	70 / 80 / 90 SDCM 5(SDCM 3 optional)
CCT Range	WW(3000K) NW(4000K) DW(5000K) CW(6500K)
Light Efficiency	160Lm/W (140Lm/W optional)
Beam Angle	60° / 90° / 110°
L70B10 / L70B50	@Ta 25 C : 69000h / 78000h
Size	Ø280mm/Ø360mm
Waterproof	IP65 & IK08
Installation Height	3-20M
Function	·Dimmable ·Emergency ·Microwave ·Enocean

## Accessory part number matrix



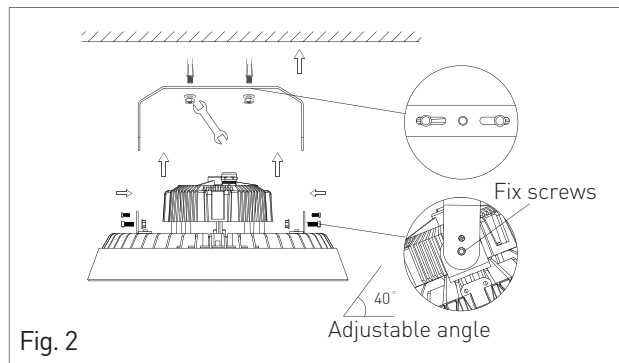
Accessories	IMAGE	DESIGNTION	MATERIAL	DESCRIPTION	QUANTITY	ACCESSORY USE
Standard	01	Round hook	Stainless steel 304	48X35X20mm	1PC	Used for suspending and Ceiling Mounted.
Optional	02	Bracket	Galvanized steel	285x50x113mm	1PC	Used for Ceiling Mounted.
Optional	03	Chain	Stainless steel 304	1M/2M/5M	1PC	Used for suspending.
Optional	04	Carabiner	Stainless steel 304	60X29X6mm	1PC	Used for suspending.
Optional	05	Cable	Copper	3X1.0mm2	1PC	Extending AC cable length.
Optional	06	Fast connector	PC	IP67	1PC	Extending AC cable length.

# Standard Installation



## Suspending


- A : Make a right position and screw hole.
- B: Hook mounted.
- C. Connect the power cable after power-off.
- D: Adjust the position of the fixture and clean it.



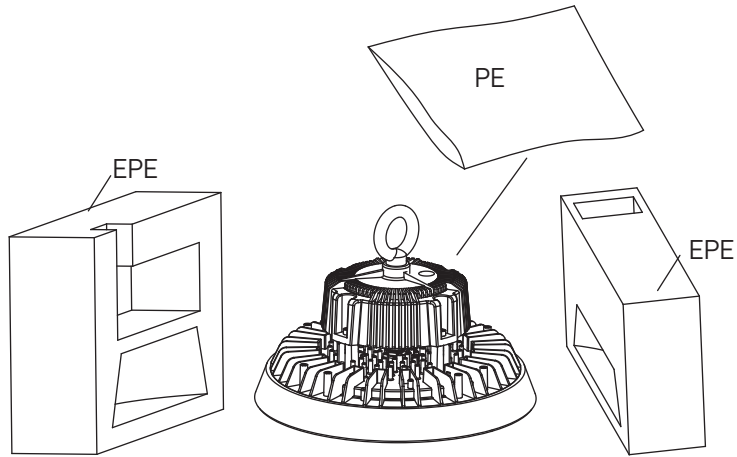
## Ceiling Mounted

- A : Install the setscrews.
- B: Put the lamp card into the setscrews and lock it tightly.
- C. Connect the power cable after power off.
- D: Adjust the lamp angle and clean it.

— Please Note: All the operations must be in the condition of power off

—  The luminaires are intended for indoor use or under shelter for outdoor use.

## Packaging



Model No.	Single Box	Pcs/ctn	N.W.(kg)	G.W./ctn(kg)	Meas(mm)
H09S-R280 (100W)	1	1	2.66	3.48	372*335*218
H09S-R280 (150W)	1	1	3.08	3.9	372*335*218
H09S-R360 (200W)	1	1	5.5	6.42	415*415*228
H09S-R360 (240W)	1	1	5.5	6.42	415*415*228

■ PLS Note : The current of the package's message pls check with the relative sales .

## Attention

This specification is for reference only,we reserve the right to change without notice.If you need the updated info,please contact local distributors or visit our website at <http://www.ervan.cn>

ERVAN reserves the right of final explanation.