

# Round Standard LED Panel SPEC

## R01CO





## ■ Matters needing attention

- Before installing the lighting fixtures, please read this instruction manual carefully.
- The lighting fixtures should be installed, connected and tested by a certified installer based on the local regulations.
- Lamps should always be installed or replaced with care.
- Please check local voltage in accordance with the product requirements before using the product.
- Relamping only can be done when the power is off and the lamp is completely cooled down.
- When a lamp is to be cleaned, make the power off and let it cool down completely. Clean the fixture with a soft cloth and a standard PH neutral detergent. Stainless steel finishing should be maintained regularly.
- Misuse of, or changes to the fixture shall nullify the guarantee.
- Don't cover the fixtures with flammable materials.
- Exclusively replaced by the manufacturer or his service agent or the similar qualified person in order to avoid a hazard.

## ■ S/N Rules

S/N: ABCDE-FGHI-JKLM

1 2 3 4 5 6 7

CCT Range:

WW(3000K) NW(4000K) DW(5000K) CW(6000K)

- 1 Type Panel
- 2 Series
- 3 Function
- 4 Power
- 5 CCT
- 6 Version
- 7 Size

## ■ Temperature Characteristics T-ambient 25 °C

### Temperature

Operating -20~+40 °C

Storage -40~+85 °C

### Humidity

Operating 10%-80%

Storage 10%-80%

## ■ Electrical Characteristics

Input Voltage: AC100~240V 50/60Hz

PF: ≥0.93

Power Efficiency: ≥0.87



## 1. Features

- Using optical PMMA light guide
- Using indirect lighting for downy light and visually comfortable
- Application in the design of concise interior space
- AL6063-T5 Aluminium frame better heat dissipation
- Maximum efficacy and minimum glare
- Illuminance Uniformity
- No UV ,No lead, No Mercury, Up to 70% energy saving

## 2.Application

### COMMERCIAL LIGHTING

Office  
Supermarket  
Hotel  
Exhibition hall  
Etc

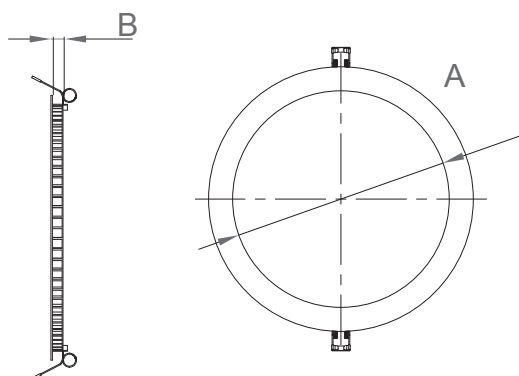
### PUBLIC LIGHTING

Residence  
Library  
Hospitals  
School  
MTR station  
Train station  
Etc

### INDUSTRIAL LIGHTING

Factory

## 3.Product Dimension



Model NO.	SizeA(mm)	Size B(mm)	Cut out(mm)
R01CO-08NA-R145	145	12.5	133
R01CO-10NA-R180	180	12.5	168
R01CO-15NA-R240	240	12.5	228
R01CO-22NA-R300	300	12.5	288

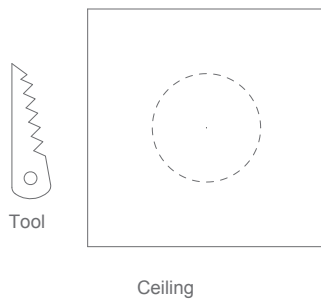


## 4.Parameter

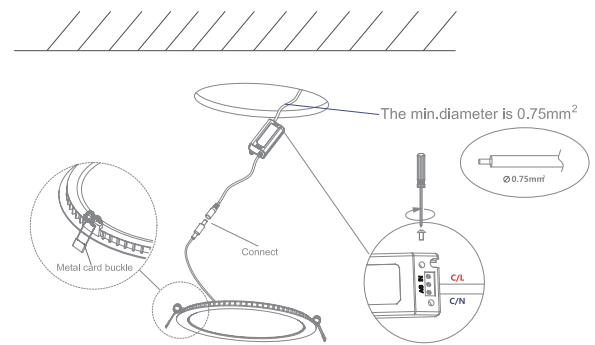
Model NO.	Size (mm)	Power (W)	Luminous Flux (85lm/w)	Luminous Flux (115lm/w)	CRI	Beam Angle
R0ICO-08NA-R145	145*12.5	08	680	920	>80	120°
R0ICO-10NA-R180	180*12.5	10	850	1150	>80	120°
R0ICO-15NA-R240	240*12.5	15	1275	1725	>80	120°
R0ICO-22NA-R300	300*12.5	22	1870	2530	>80	120°

CCT Range WW(3000K) NW(4000K) DW(5000K) CW(6000K)

## 5.Installation



A: Cut out in right size.



B: Make the power off and connect with cable



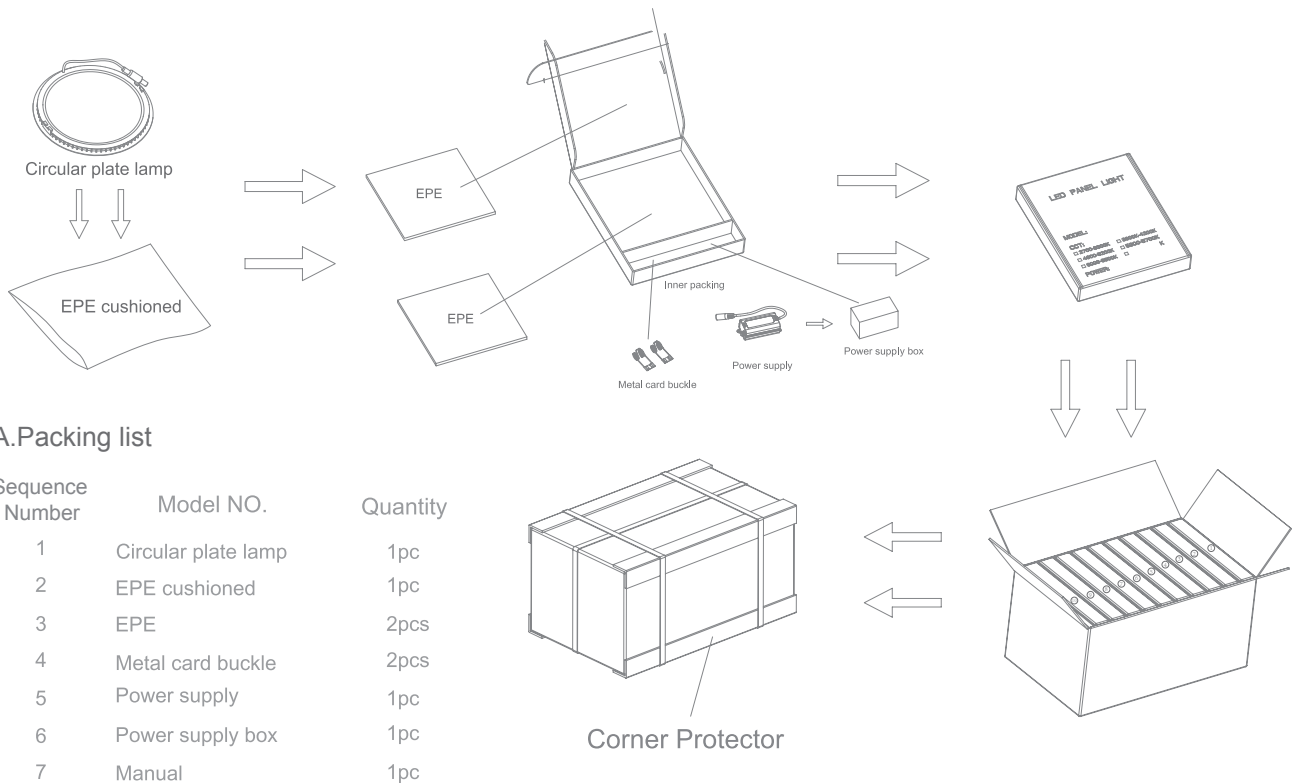
C: Install the fixture onto the ceiling and secure the fixture by the clips.



D: Adjust the position of the fixture and clean it..



## 6.Packaging



## 7.Attention

This specification is for reference only,we reserve the right to change without notice.If you need the updated info,please contact local distributors or visit our website at <http://www.ervan.cn>