



Fast Fit LED Luminaire



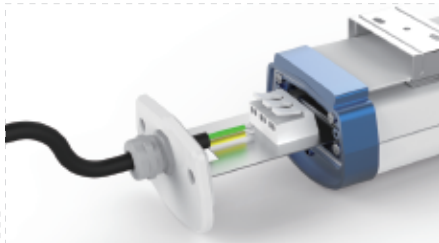
1.Features

- IP65 / IK08
- SDCM<5 (SDCM<3 option)
- Up to 150Lm/w
- Can be linkable
- Non-flicker available

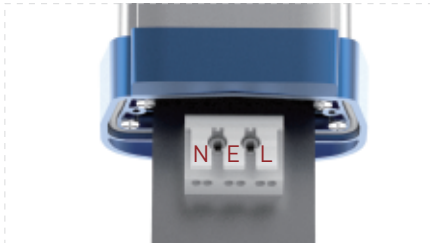
- Up to 70% energy saving
- Fast fit and zero maintenance
- 78,000h (L70B10 / Ta 25 C) 5 years warranty
- Wide use in commercial and industrial area
- Emergency / Microwave / Dimmable available



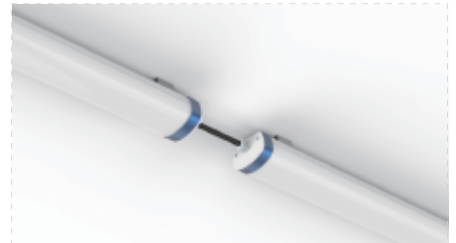
1 Fast Fit



2 Terminal connector



3 Linkable



2.Application

- Industrial
Warehouses, Production halls , Parking areas
- Education
Classrooms, Cafeteria, Auditorium , Sports halls, Pools
- Semi-outdoor
Car parks , Pools , Airports, Train stations
Gas stations, Bus stations , Park, Toll stations
- Shop & Retail
Shopping mall, Supermarkets, Retail stores,
- Architectural
Exhibition center , Library, Art Museum
Concert hall, Museum

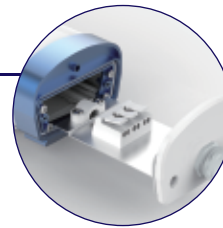
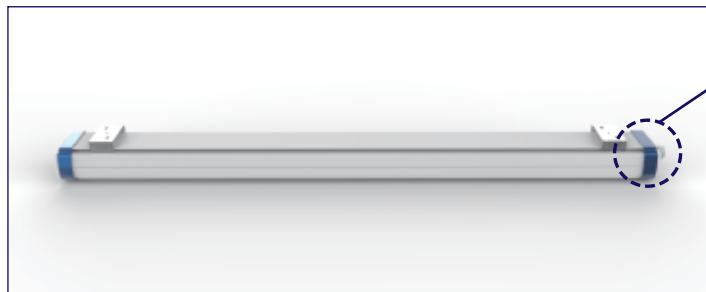
3. Products Series

1. Standard (with cable)



Cable: 3*1.0mm²(3*1.5mm² optional)

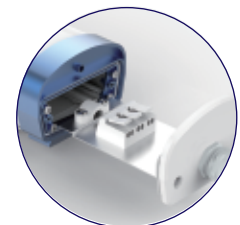
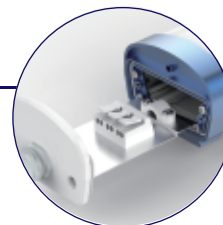
2. One Terminal Block



Terminal Block

Through-wiring: 3*1.5mm² / 3*2.5mm²

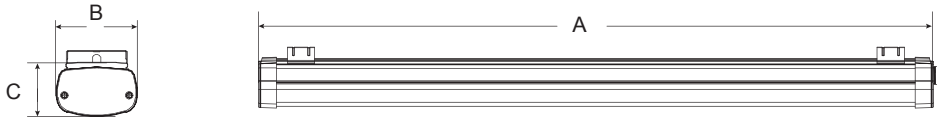
3. Terminal block linkable



Terminal Block

Through-wiring: 3*1.5mm² / 3*2.5mm²

4. Product Dimension



Model NO.	Size A(mm)	Size B(mm)	Size C(mm)
T07 600mm	2FT(600mm)	83	55
T07 1200mm	4FT(1200mm)	83	55
T07 1500mm	5FT(1500mm)	83	55

5. Parameter

Model NO. / Length	Power (W)	Lumens	
		120LM/W	150LM/W
T07 / 600mm	20	2400	3000
T07 / 1200mm	40	4800	6000
T07 / 1500mm	50	6000	7500
T07 / 1500mm	65	7800	9750



Dimmable



Motion sensor

Notes:

Above lumens based on 4000K Ra : 80

- All values in +25°C ambient temperature, luminous flux tolerance +-5%, output power tolerance +-5%.

AC Input : 100-240V 50/60Hz

Light Source : 2835 SDCM<5 (SDCM<3 option)

CRI Range : 80 / 90 / 95

CCT Range : WW(3000K) NW(4000K) DW(5000K) CW(6500K)

Light Efficiency : 120Lm/W, 150Lm/W

Beam Angle : 120°

L70B10 @Ta 25 C : 78000h L70B50 @Ta 25 C : 91000h

Size(mm) : 83(W)*55(H)

Waterproof : IP65 & IK08

Recommended Installation Height : 2-8M

PF:≥0.93 THD<20% Power Efficiency:≥0.87

Temperature : (Storage : -40~+85°C) (Operating : -20~+40°C)

6. Accessory part number matrix



01



02



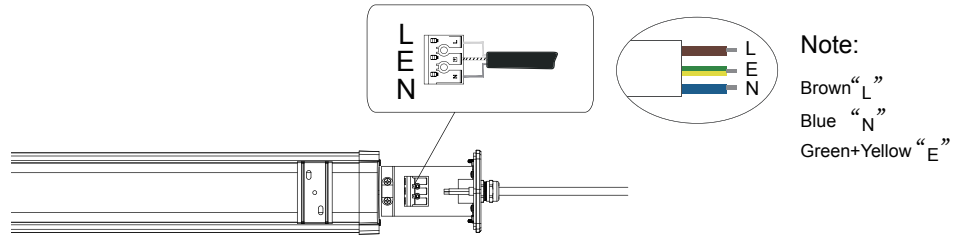
03

Mounting Accessories

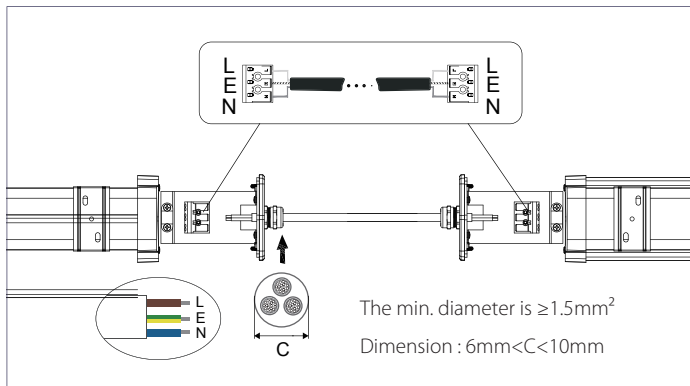
Accessories	IMAGE	DESIGNTION	MATERIAL	DESCRIPTION	QUANTITY	ACCESSORY USE
Standard	01	METAL BRACKET	Stainless steel	62x35x17.2mm	2PCS	Used for Suspending and Ceiling Mounted.
Standard	02	SCREW	Stainless steel	4X20mm	4PCS	Used for Ceiling Mounted.
Optional	03	SUSPENDING CABLE	Stainless steel	1M/1.2M/1.5M/3M	2PCS	Used for Suspending.

7. Wire system

1. Without cable



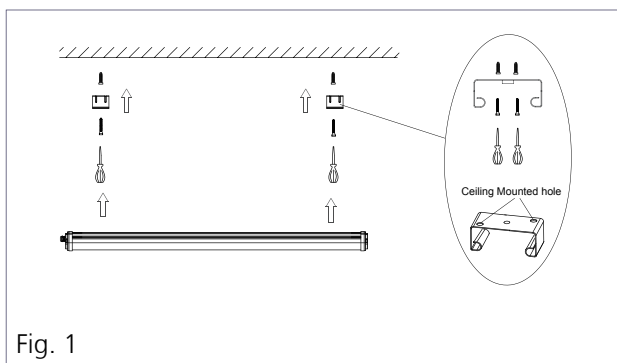
2. Without cable Linkable



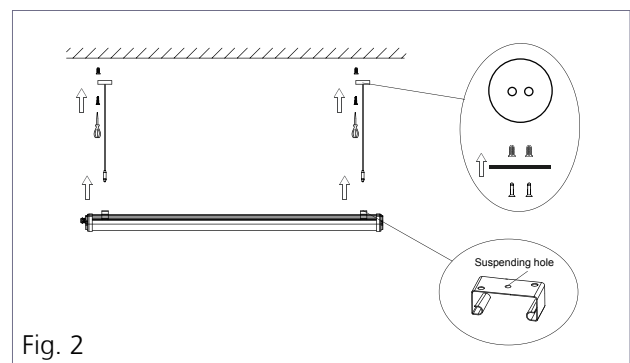
Input Voltage	Length (mm)	Max Qty	Size C (mm)
100VAC/40W	1200	8	optional
100VAC/50W	1500	6	optional
100VAC/65W	1500	5	optional
Input Voltage	Length (mm)	Max Qty	Size C (mm)
230VAC/40W	1200	16	optional
230VAC/50W	1500	13	optional
230VAC/65W	1500	10	optional

8. Installation

Ceiling Mounted



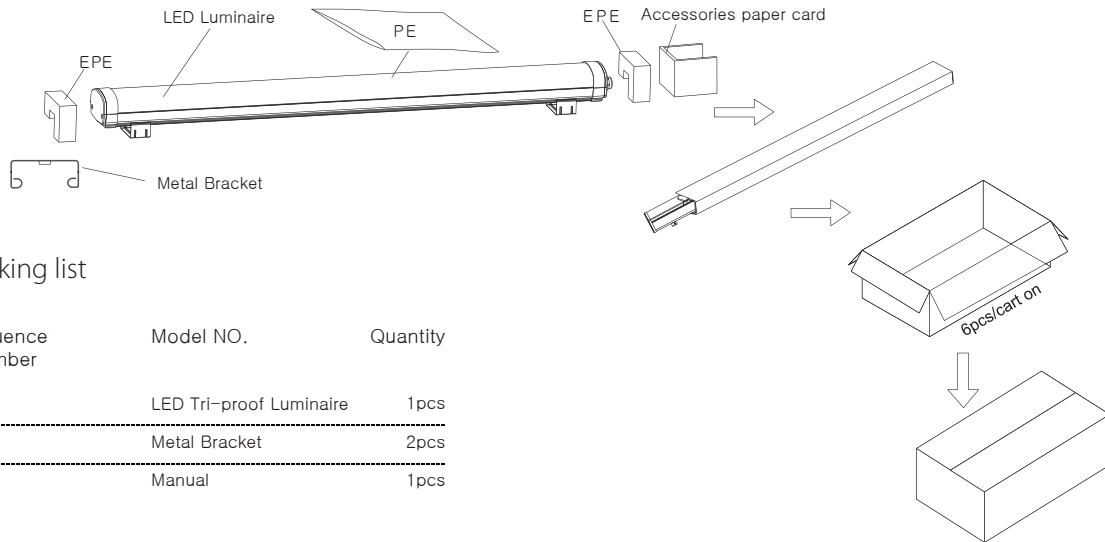
Suspending



■ Please Note: All the operations must be in the condition of power off

■ The luminaires are intended for indoor use or under shelter for outdoor use.

9. Packaging



A. Packing list

Sequence Number	Model NO.	Quantity
1	LED Tri-proof Luminaire	1pcs
2	Metal Bracket	2pcs
3	Manual	1pcs

B. Packing Data

Model No	Single Box	Pcs/CTN	N.W./Panel(kg)	G.W./CTN(kg)	Meas(mm)
T07 600mm	1	6	1.16	8.62	764x324x166
T07 1200mm	1	6	1.9	14	1364x324x166
T07 1500mm	1	6	2.42	17.64	1664x324x166

10. Attention

This specification is for reference only, we reserve the right to change without notice. If you need the updated info, please contact local distributors or visit our website at <http://www.ervan.cn>

This product is non-resistant to some chemical substances, please contact the manufacturer for the details.

ERVAN reserves the right of final explanation.

11. Statement

According to the International Standard of LED luminaire, here ERVAN formally claims that ERVAN LED Tri-proof (Weather proof) series products is only allowed to be applied to indoor or semi-outdoor neutral environment. Meanwhile ERVAN promises full warranty for the products.

Any severe environment application including high/low temperature, high humidity, high salinity, high-ammonia etc. is not permitted without the official confirmation from the manufacturer. If any misapplication happens, the warranty policy is no longer guaranteed.