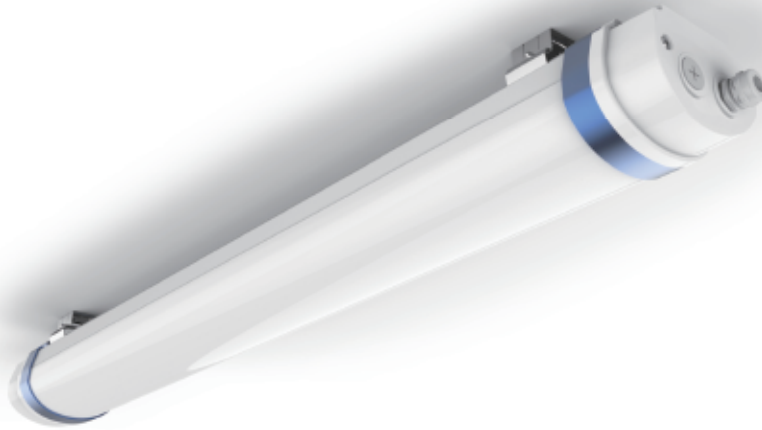


High Power Weather-proof T21

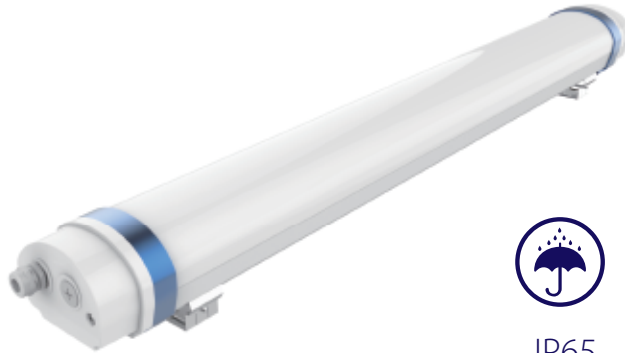


High Power Weather-proof



1.Features

- IP65 / IK08
- SDCM<5 (SDCM<3 option)
- Up to 150Lm/w
- Wire through
- Meet RG0 requirement
- Special design for 2-15m application high
- Up to 70% energy saving
- Fast fit and maintenance-free
- 72,000h (L70 / Ta 25°C) 5 years warranty
- Emergency / Microwave / Dimmable easily realized



IP65

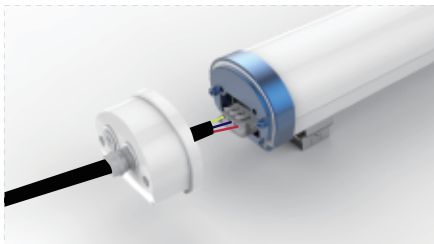
IK08

CLASS I

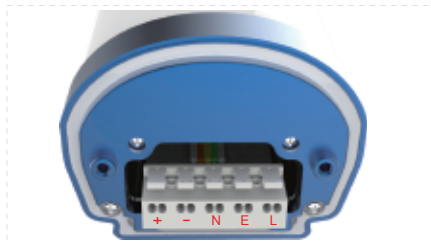
5 years warranty

RG0

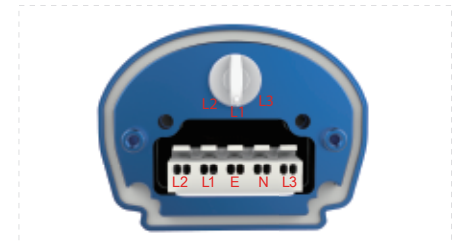
1 Fast Fit



2 Terminal connector



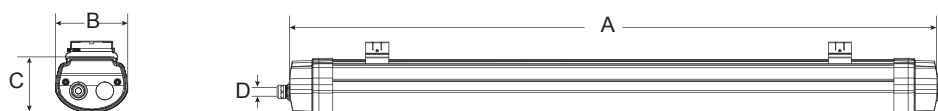
3 Phase Switch optional



2.Application

- Industrial
Warehouse, Factory
- Architectural
Exhibition center ,Library,Art Museum
Concert hall,Museum
- Education
Sports halls
- Shop & Retail
Shopping mall,Supermarkets,Retail stores

3.Product Dimension



Size A(mm)	Size B(mm)	Size C(mm)	Size D(mm)
600	109	84	12
1200	109	84	12
1500	109	84	12

4. Parameter

Model NO. / Length	Power (W)	Lumens	
		120lm/w	150lm/w
T21 600mm	40	4800	6000
T21 1200mm	40	4800	6000
T21 1200mm	50	6000	7500
T21 1200mm	60	7200	9000
T21 1500mm	60	7200	9000
T21 1500mm	80	9600	12000
T21 1500mm	100	12000	15000

Light Source : 2835 SDCM<5 (SDCM<3 option)
 CRI Range : 80 / 90 / 95
 CCT Range : WW(3000K) NW(4000K) DW(5000K) CW(6500K)
 AC Input : 220-240V 50/60Hz
 L70B10 @Ta 25°C : 72000h L70B50 @Ta 25°C : 81000h
 Beam Angle : 120°
 Light Efficiency : 120Lm/W, 150Lm/W
 Waterproof : IP65 & IK08
 Recommended Installation Height : 2-15M
 PF:≥0.93 THD<20% Power Efficiency:≥0.90
 Temperature : [Storage : -40~+85°C] (Operating : -20~+40°C)

- Dimmable
- Emergency
- Motion sensor

Notes:

- Frosted cover is 10Lm/W less than clear cover, above lumens based on 4000K Ra : 80
- All values in +25°C ambient temperature, luminous flux tolerance +-5%, output power tolerance +-5%.

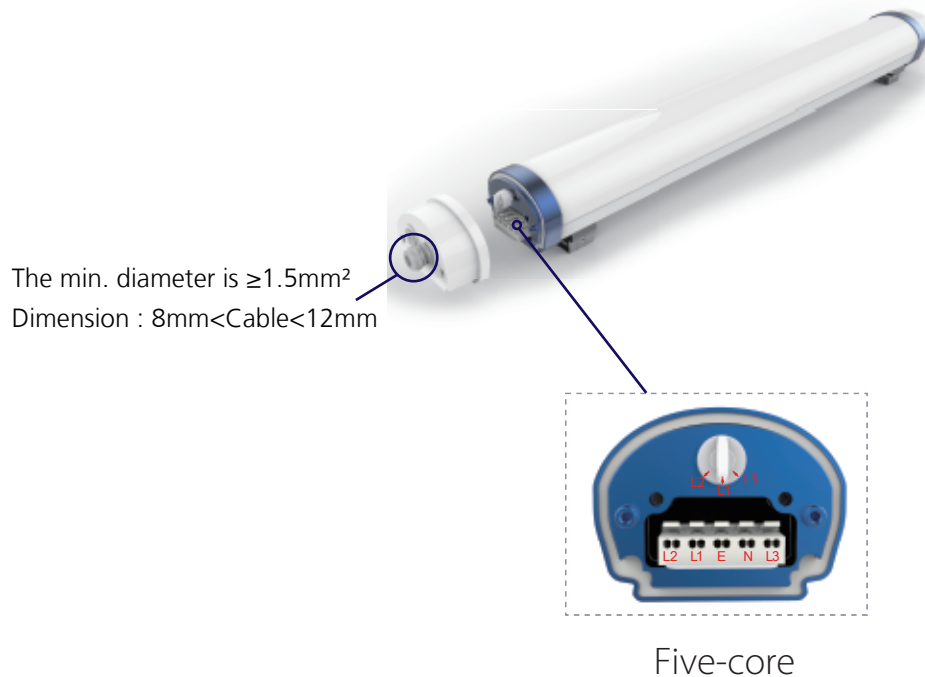
5.Accessory part number matrix



Mounting Accessories

Accessories	IMAGE	DESIGNTION	MATERIAL	DESCRIPTION	QUANTITY	ACCESSORY USE
Standard	01	Metal Bracket	Stainless steel	75.6x35x33.3mm	2PCS	Used for the absorption of suspending and Ceiling Mounted.
Standard	02	Screw	Stainless steel	4X20mm	4PCS	Used for the absorption of Ceiling Mounted.
Standard	03	M20 Connector	PC	Length of thread:8mm	1PCS	Dimension : 8mm<Cable<12mm
Optional	04	Suspending Cable	Stainless steel	1M/1.2M/1.5M/3M	2PCS	Used for the absorption of suspending.

6. Standard Installation



Note: The torque standard of holder screws is 8.5±0.5kgf.

■ How many LED fixtures we could connect on one phase.

Input Voltage	Max Qty	Size Cable	Input Voltage	Max Qty	Size Cable
100VAC/40W	9	optional	230VAC/40W	18	optional
100VAC/50W	7	optional	230VAC/50W	15	optional
100VAC/60W	6	optional	230VAC/60W	12	optional
100VAC/80W	4	optional	230VAC/80W	9	optional
100VAC/80W	3	optional	230VAC/100W	7	optional

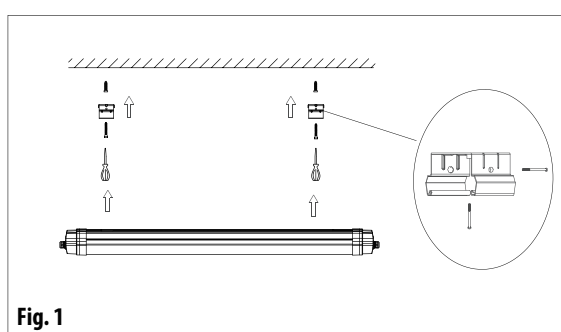


Fig. 1

1 Ceiling Mounted

- A : Make a right position and screw hole
- B: Screw the clip on the ceiling tightly
- C. Connect the wire by junction box after power-off.
- D: Adjust the position of the fixture and clean it.

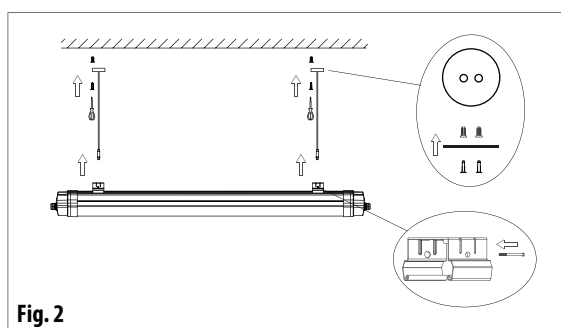
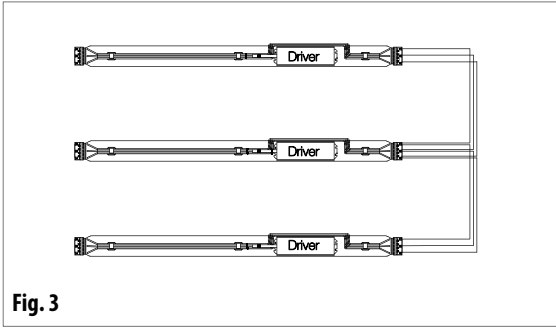


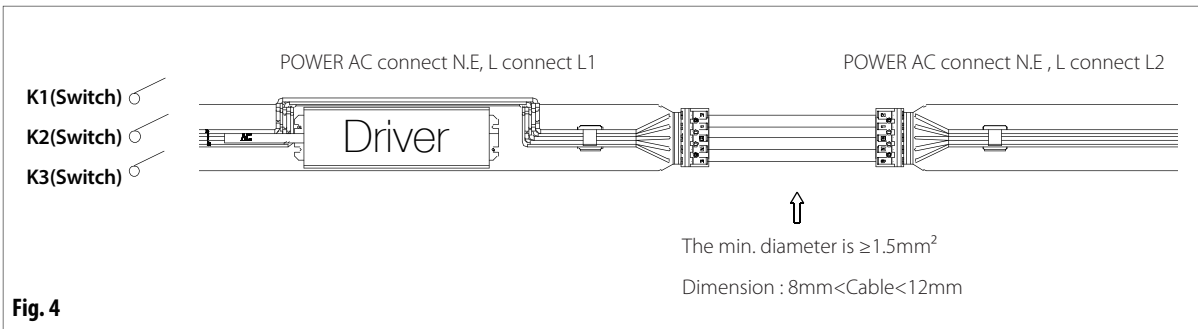
Fig. 2

2 Suspending

- A : Make a right position and screw hole
- B: Screw the steel cable onto the ceiling
- C. Connect the wire by junction box after power-off.
- D: Adjust the position of the fixture and clean it.

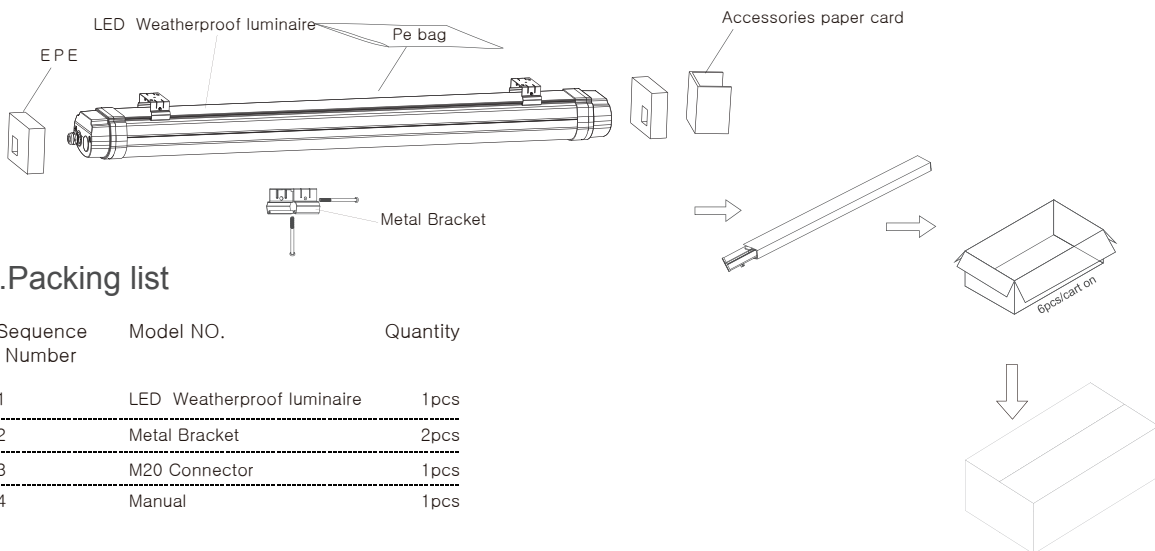


- 3 Vertical connection(ONE SWITCH CONTROL), Can choose three core wires(use for general lighting & Motion sensor:L,N,E) .
- 4 Lateral connection (switch 1 is on, fixture L1 connect power L is on, others are off)



- Please Note:All the operations must be in the condition of power off
- The luminaires are intended for indoor use or under shelter for outdoor use.

7. Packaging



A.Packing list

Sequence Number	Model NO.	Quantity
1	LED Weatherproof luminaire	1pcs
2	Metal Bracket	2pcs
3	M20 Connector	1pcs
4	Manual	1pcs

B.Packing Data

Model No	Single Box	Pcs/CTN	N.W./Panel(kg)	G.W./CTN(kg)	Meas(mm)
T21 600mm	1	6	1.76	12.86	752x395x210
T21 1200mm	1	6	2.76	20.24	1352x395x210
T21 1500mm	1	6	3.34	24.28	1652x395x210

8. Attention

This specification is for reference only,we reserve the right to change without notice.If you need the updated info,please contact local distributors or visit our website at <http://www.ervan.cn>

This product is non-resistant to some chemical substances,please contact the manufacturer for the details.

ERVAN reserves the right of final explanation.

9. Statement

According to the International Standard of LED luminaire, here ERVAN formally claims that ERVAN LED Tri-proof(Weather proof) series products is only allowed to be applied to indoor or semi-outdoor neutral environment. Meanwhile ERVAN promises full warranty for the products.

Any severe environment application including high/low temperature, high humidity, high salinity, high-ammonia etc..is not permitted without the official confirmation from the manufacturer. If any misapplication happens, the warranty policy is no longer guaranteed.