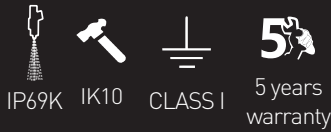




Tubular Weather-proof

T60A HACCP for food

- Installation Height : 2-8m
- Industrial • Education • Semi-outdoor • Shop & Retail



Features

- IP69K / IK10
- SDCM<5 (SDCM<3 option)
- Up to 150Lm/w
- Can be wire through
- Respirator design
- Non-flicker available
- Up to 70% energy saving
- PC material
- Fast fit and maintenance-free
- Microwave / Dimmable
- 90,000h (L70 / Ta 25°C) 5 years warranty
- Wide use in commercial and industrial area





Advantage

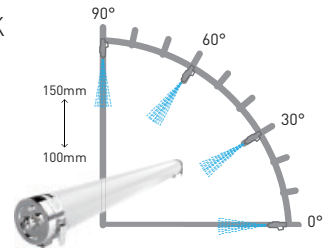
Fast Fit



IP67/IK10



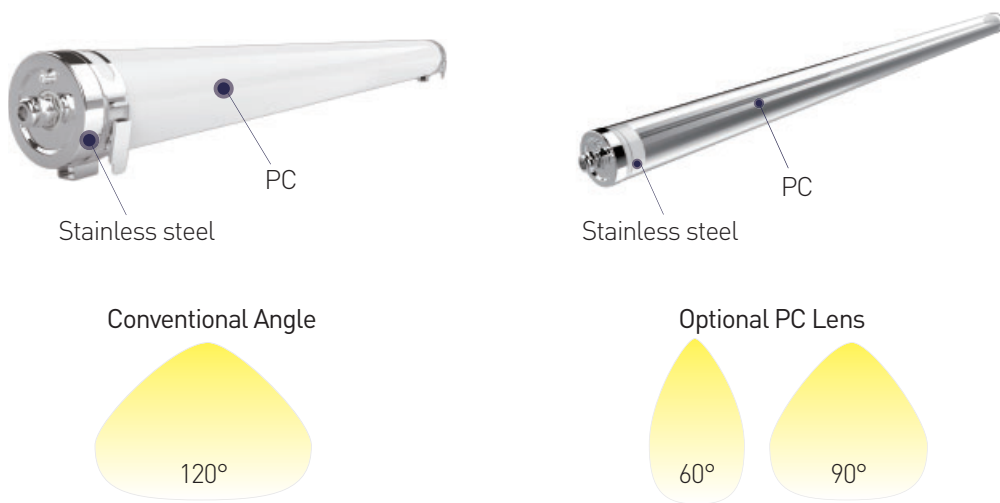
IP69K



Application

- Applicable
 - Food industry
 - Parking lot
 - Wine cellar
 - Airport
 - Train station
 - Platform
 - Aisle
 - Cold storage (-35°C--+40°C)
 - Swimming pool

Optics



Product Dimension



Model NO.	Size A(mm)	Size B(mm)	Size C(mm)
T60 600mm	2FT(600mm)	70	70
T60 1200mm	4FT(1200mm)	70	70
T60 1500mm	5FT(1500mm)	70	70

Parameter

— Conventional

Model NO. / Length	Power (W)	(Frosted Cover) Lumens	
		130Lm/W	150Lm/W
T60 (600mm)	20	2600	3000
T60 (1200mm)	36	4680	5400
T60 (1500mm)	48	6240	7200

Notes:

- Operating temperature: -20~+40°C
- Above lumens based on 4000K Ra : 80
- All values in +25°C ambient temperature, luminous flux tolerance +-5%, output power tolerance +-5%.

AC Input	220-240V 50/60Hz
Light Source	2835 SDCM<5 (SDCM<3 option)
CRI Range	80 / 90 / 95
CCT Range	WW(3000K) NW(4000K) DW(5000K) CW(6500K)
Light Efficiency	130Lm/W, 150Lm/W
Beam Angle	60° / 90° / 120°
L70B10 / L70B50	@Ta 25°C : 90000h / 117000h
Size	70(W)*70(H)
Waterproof	IP67 & IP69K
IK Rate	IK10
Installation Height	2-8M
Function	<input checked="" type="checkbox"/> Dimmable <input checked="" type="checkbox"/> Microwave <input checked="" type="checkbox"/> Emergency

Accessory part number matrix



01



02



03



04

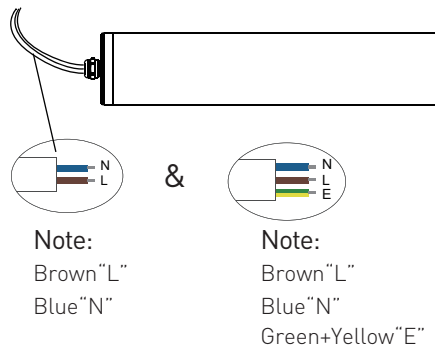


05

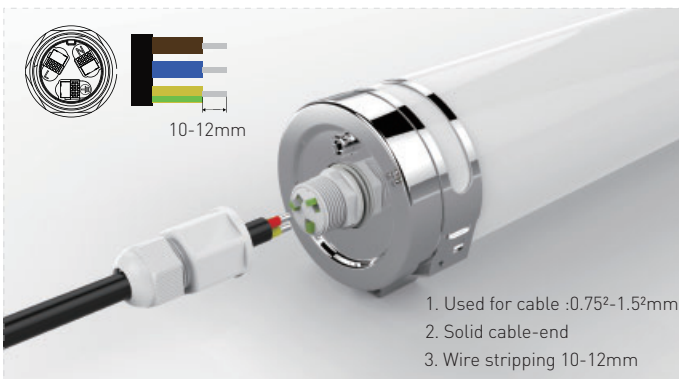
Accessories	IMAGE	DESIGNTION	STAINLESS STEEL	MATERIAL	DESCRIPTION	QUANTITY	ACCESSORY USE
Standard	01	Metal Bracket	316	Stainless steel	82X78X20mm	2PCS	Used of Suspending and ceiling mounted.
Standard	02	Screw	304	Stainless steel	4X20mm	2PCS	Used of ceiling mounted.
Optional	03	Suspending Cable	304	Stainless steel	1M/1.2M/1.5M/3M	2PCS	Used of suspending.
Optional	04	Anti-theft clip with rubber sleeve	316/304	Stainless steel	95X80X13mm	2PCS	Used of Suspending and ceiling mounted.
Optional	05	Ring spanner	--	Stainless steel	T20	1PCS	Used of Anti-theft clips installation.

Wire system

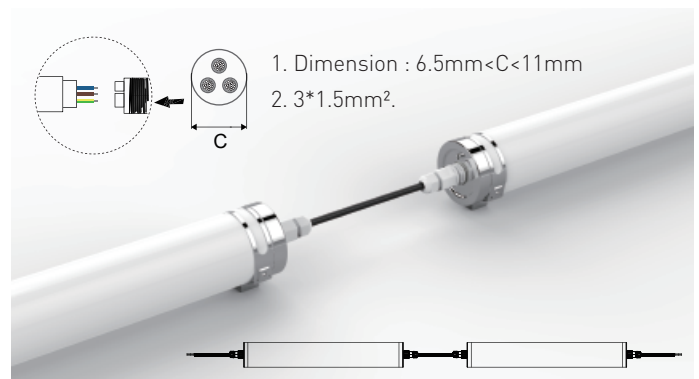
Standard



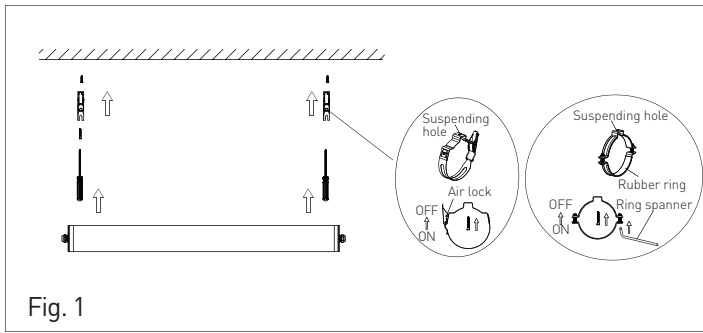
Terminal connector



Wire through

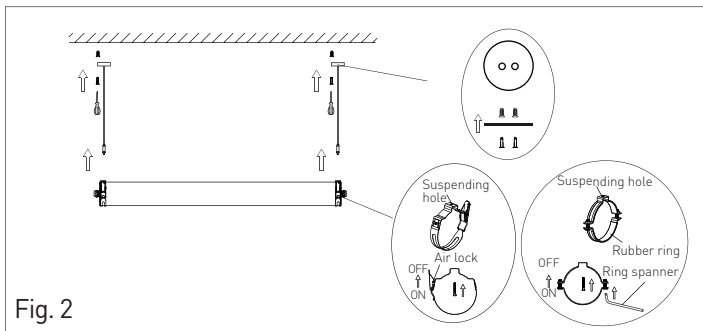


Installation



Ceiling Mounted


- A : Make a right position and screw hole
- B : Screw the clip on the ceiling tightly
- C : Install the lamp into the clips.
- D : Adjust the position of the fixture and clean it..



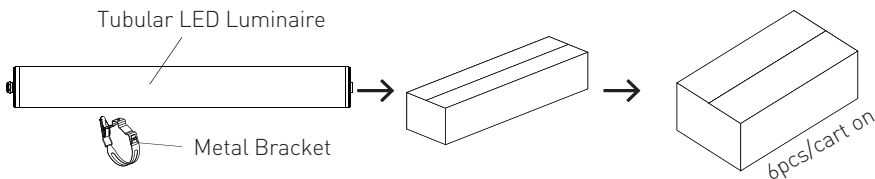
Suspending

- A : Make a right position and screw hole
- B : Screw the steel cable onto the ceiling
- C : Hung the fixture under the steel cable and secure the fixture by steel cable
- D : Adjust the position of the fixture and clean it..

— Please Note:All the operations must be in the condition of power off

—  The luminaires are intended for indoor use or under shelter for outdoor use.

Packaging



A.Packing list(Standard accessories)

Sequence Number	Model NO.	Quantity
1	Tubular LED Luminaire	1pc
2	Metal Bracket	2pcs
3	Screw	2pcs
4	Manual	1pc

B.Packing Data

Model No	Single Box	Pcs/CTN	N.W./Panel(kg)	G.W./CTN(kg)	Meas(mm)
T60 600mm	1	6	1.02	8.0	818x321x188
T60 1200mm	1	6	1.7	13.2	1418x321x188
T60 1500mm	1	6	2.0	15.2	1718x321x188

Attention

This specification is for reference only,we reserve the right to change without notice.If you need the updated info,please contact local distributors or visit our website at <http://www.ervan.cn>

This product is non-resistant to some chemical substances,please contact the manufacturer for the details.

ERVAN reserves the right of final explanation.