

Mini Weather-proof

T66

• Clean room • Food industry • Station • Car parks



T66
Mini Weather-proof



1.Features

- IP65 / IK08
- SDCM<5 (SDCM<3 option)
- Up to 140Lm/w
- Can be wire through
- Respirator design
- Non-flicker available
- Up to 70% energy saving
- Fast fit and maintenance-free
- 69,000h (L70 / Ta 25°C) 5 years warranty
- Wide use in commercial and industrial area



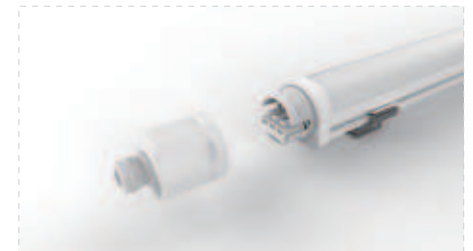
1 Easy Cleaning



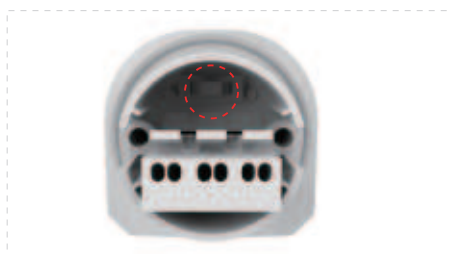
2 All-PC Cover



3 Fast Bracket



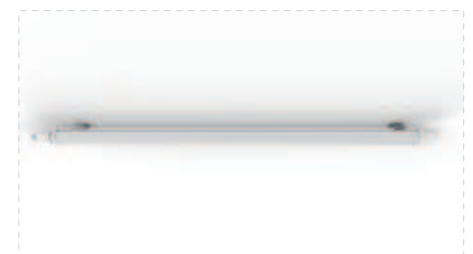
4 CCT switch can adjust



5 IP65 & IK08



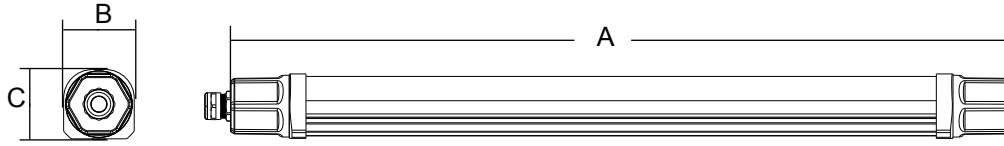
6 Non-flicker



2.Application

- Industrial
Warehouses, Production halls ,Parking areas
- Education
Classrooms, Cafeteria, Auditorium ,
Sports halls, Pools
- Semi-outdoor
Car parks ,Pools ,Airports, Train stations
Gas stations, Bus stations ,Park, Toll stations
- Shop & Retail
Shopping mall, Supermarkets, Retail stores,
- Architectural
Exhibition center ,Library, Art Museum
Concert hall, Museum

3.Product Dimension



Model NO.	Size A(mm)	Size B(mm)	Size C(mm)
T66 600mm	2FT(600mm)	54	53
T66 900mm	3FT(900mm)	54	53
T66 1200mm	4FT(1200mm)	54	53
T66 1500mm	5FT(1500mm)	54	53

4. Parameter

Model NO. / Length	Power(W)	(Frosted Cover) Lumens	
		120Lm/W	140Lm/W
T66 (600mm)	20	2400	2800
T66 (900mm)	25	3000	3500
T66 (1200mm)	30	3600	4200
T66 (1500mm)	35	4200	4900
T66 (1500mm)	40	4800	5600

Single CCT for 40W.

Notes:

- Above lumens based on 4000K Ra : 80
- All values in +25°C ambient temperature, luminous flux tolerance +-5%, output power tolerance +-5%.

AC Input	220-240V 50/60Hz
Light Source	2835 SDCM<5 (SDCM<3 option)
CRI Range	80 / 90 / 95
CCT Range	WW(3000K) NW(4000K) DW(5000K) CW(6500K) CCT switch can adjust 3000K/4000k/5000K.
Light Efficiency	120Lm/W, 140Lm/W
Beam Angle	180°
L70B10 / L70B50	@Ta 25 C : 69000h / 78000h
Size	54(W)*53(H)
Waterproof	IP65 & IK08
Installation Height	2-8M
Function	None

5. Accessory part number matrix



01



02



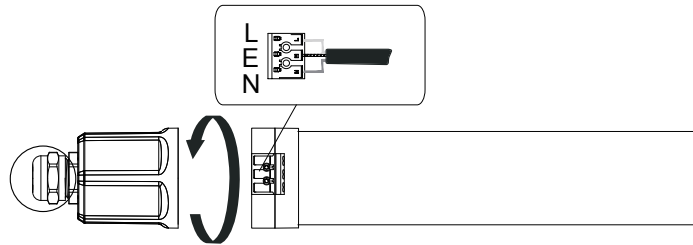
03

Mounting Accessories

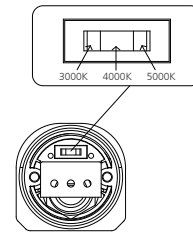
Accessories	IMAGE	DESIGNTION	MATERIAL	DESCRIPTION	QUANTITY	ACCESSORY USE
Standard	01	Metal Bracket	Stainless steel	49X28X20mm	2PCS	Used for the Suspending and ceiling mounted.
Standard	02	Screw	Stainless steel	4X20mm	2PCS	Used for the ceiling mounted.
Optional	03	Suspending Cable	Stainless steel	1M/1.2M/1.5M/3M	2PCS	Used for the suspending.

6. Standard/Motion sensor Installation

■ Standard

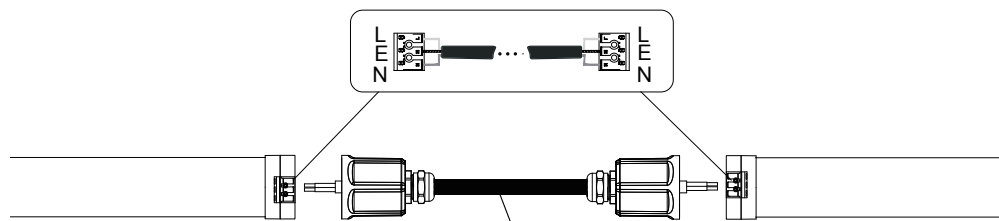


Twist the end cap and connect the cable.



CCT switch can adjust 3000K/4000K/5000K.

■ Linkable



The min. diameter is $\geq 1.5\text{mm}^2$

Dimension : $8\text{mm} < C < 12\text{mm}$

Input Voltage	Max Qty	Size C (mm)	Input Voltage	Max Qty	Size C (mm)
100VAC/20W	18	optional	230VAC/20W	35	optional
100VAC/25W	14	optional	230VAC/25W	28	optional
100VAC/30W	12	optional	230VAC/30W	23	optional
100VAC/35W	10	optional	230VAC/35W	20	optional
100VAC/40W	9	optional	230VAC/40W	18	optional

7. Suspending and Ceiling Mounted Installation

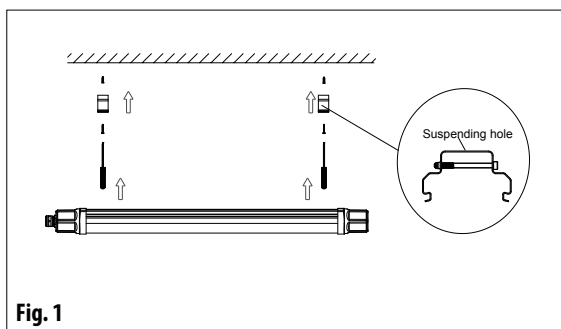


Fig. 1

1 Ceiling Mounted

- A : Make a right position and screw hole
- B : Screw the clip on the ceiling tightly
- C : Install the lamp into the clips.
- D : Adjust the position of the fixture and clean it..

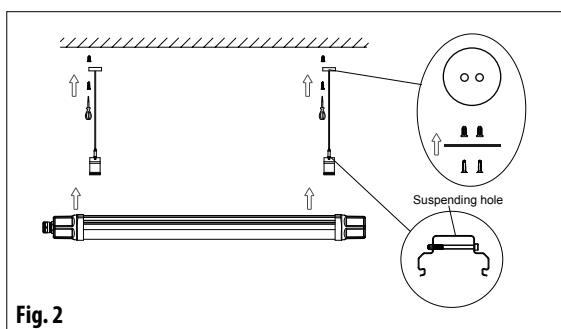



Fig. 2

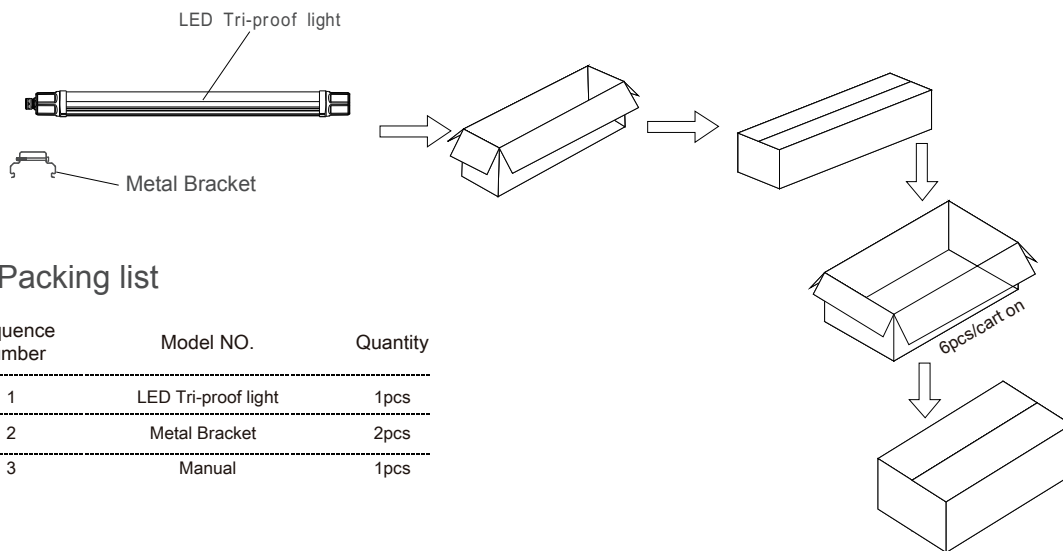
2 Suspending

- A : Make a right position and screw hole
- B : Screw the steel cable onto the ceiling
- C : Hung the fixture under the steel cable and secure the fixture by steel cable
- D : Adjust the position of the fixture and clean it..

■ Please Note: All the operations must be in the condition of power off

■  The luminaires are intended for indoor use or under shelter for outdoor use.

8. Packaging



A. Packing list

Sequence Number	Model NO.	Quantity
1	LED Tri-proof light	1pcs
2	Metal Bracket	2pcs
3	Manual	1pcs

B. Packing Data

Model No	Single Box	Pcs/CTN	Meas(mm)
T66 600mm	1	6	790*242*175
T66 900mm	1	6	1090*242*175
T66 1200mm	1	6	1390*242*175
T66 1500mm	1	6	1690*242*175

9. Attention

This specification is for reference only, we reserve the right to change without notice. If you need the updated info, please contact local distributors or visit our website at <http://www.ervan.cn>

This product is non-resistant to some chemical substances, please contact the manufacturer for the details.

ERVAN reserves the right of final explanation.

10. Statement

According to the International Standard of LED luminaire, here ERVAN formally claims that ERVAN LED Tri-proof (Weather proof) series products is only allowed to be applied to indoor or semi-outdoor neutral environment. Meanwhile ERVAN promises full warranty for the products.

Any severe environment application including high/low temperature, high humidity, high salinity, high-ammonia etc. is not permitted without the official confirmation from the manufacturer. If any misapplication happens, the warranty policy is no longer guaranteed.