

Smart Emergency module Manual



Matters needing attention

- Before installing the lighting fixtures, please read this instruction manual carefully.
- The lighting fixtures should be installed, connected and tested by a certified installer based on the local regulations.
- Lamps should always be installed or replaced with care.
- Please check local voltage in accordance with the product requirements before using the product.
- Relamping only can be done when the power is off and the lamp is completely cooled down.
- When a lamp is to be cleaned, make the power off and let it cool down completely. Clean the fixture with a soft cloth and a standard PH neutral detergent. Stainless steel finishing should be maintained regularly.
- Misuse of, or changes to the fixture shall nullify the guarantee.
- Don't cover the fixtures with flammable materials.
- Exclusively replaced by the manufacturer or his service agent or the similar qualified person in order to avoid a hazard.

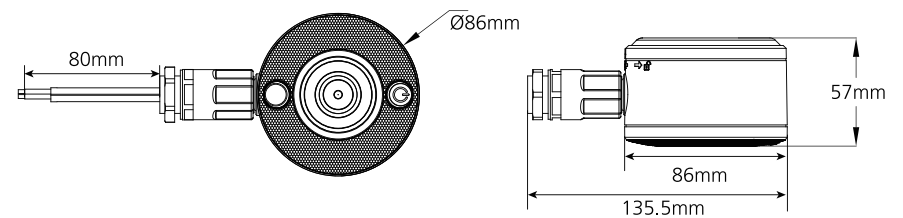
Temperature Characteristics T-ambient 25°C

Temperature
Ambient 0~+40°C

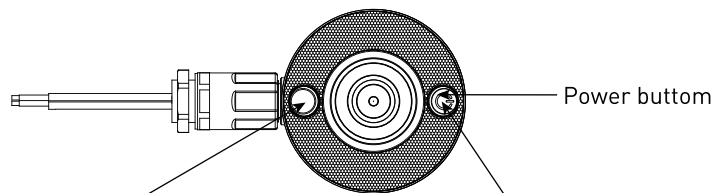
Electrical Characteristics

Input Voltage
AC220~240V 50/60Hz

Product Dimension



Button&Indicator instruction



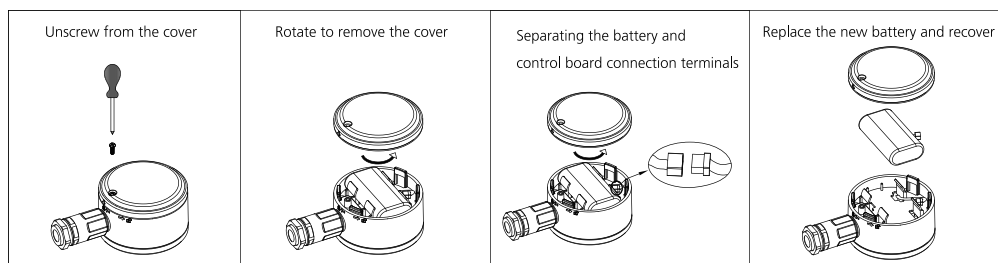
Indicator/Scene	Red color	Green color
Standby	/	On
Charging	On	/
Emergency	/	/
Failure	Flash	/
Battery Repair	Flash	Flash

Push Button/Scene	Function
Standby(with AC input)	Push button for load testing
Emergency	Push button over 1S for dormancy
Battery failure	Push button over 1S removing the fault

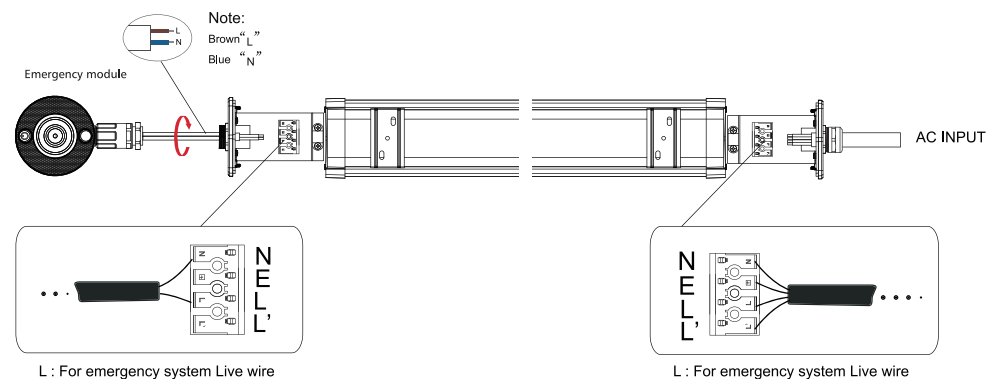


1. The battery is guaranteed for one year.
2. The battery needs to be charged once every 3 months, 12 hours each time.
3. After the battery is fully charged and the power is disconnected, the product is in an emergency state and the indicator light is on. At this time, you need to press and hold the power button on the product for about 3 seconds to turn off the light to avoid long-term discharge.

Battery changeable



Wire system



Installation

