

# LEDline basic

H20A

• Installation Height : 3-15m



Extremely simplicity makes more possibility, perfect slim design incorporated with multiple accessories makes the installation much easier. It's suitable for ceiling mounted, suspending, connecting, track, and steel wire installation etc..solves most of the installation problems and concerns with very economic cost, offers the one stop solution for installer. On the other hand, wide power range from 40~150W and high efficiency 130~150lm/w can replace all the traditional and old fixtures with better optical performance.



# Features

- Elegant slim design.
- Lighter weight and smaller size for easy handle to install.
- Large wiring compartment and multiple knock-outs to accommodate lighting controls.
- Supports side-by-side link and continued running link.
- Flexible installation possibility with ceiling mounted, suspending, trunking, connecting etc. .



IP40



CLASS I



5 years warranty



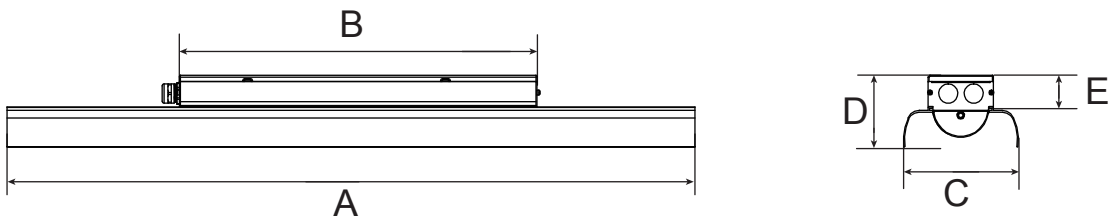
RGO



# Application

- Industrial  
Warehouses, Production halls, Parking areas.
- Education  
Cafeteria, Auditorium, Sports halls.
- Shop & Retail  
Shopping mall, Supermarkets.
- Office  
Meeting rooms, Open-plan offices, Sanitary areas.

# Product Dimension



Model NO.	Size A(mm)	Size B(mm)	Size C(mm)	Size D(mm)	Size E(mm)
H20A	1200	560	120	78	35
H20A	1500	560	120	78	35

# Parameter

Model NO. / Length	Power(W)	(Frosted Cover) Lumens	
		130Lm/W	150Lm/W
H20A/1200	40	5200	6000
H20A/1200	80	10400	12000
H20A/1200	120	15600	18000
H20A/1500	60	7800	9000
H20A/1500	100	13000	15000
H20A/1500	150	19500	22500

**Notes:**

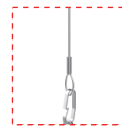
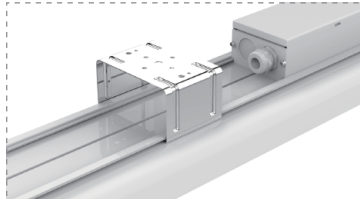
- Above lumens based on 4000K Ra : 80
- All values in +25°C ambient temperature, luminous flux tolerance +-5%, output power tolerance +-5%.

AC Input	220-240V 50/60Hz
CRI Range	70 / 80 / 90
CCT Range	WW(3000K) NW(4000K) DW(5000K) CW(6500K)
Light Efficiency	130Lm/W, 150Lm/W
Beam Angle	120°
L90B50	@Ta 25°C : 50000h
Size(mm)	1200/1500(mm)
Waterproof	IP40
Installation Height	3-15M
Operating:	-20~+40 °C
Storage:	-40~+85 °C
Function	☑ Dimmable ☑ Emergency ☑ Microwave

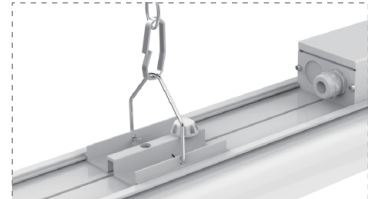
## Optional accessories



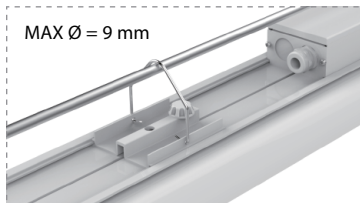
Bottom Bracket(BB01)  
(L83\*W60\*H45mm)



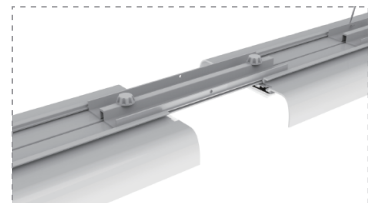
Suspending Rope(SR01)  
(1200mm)



Pothook Bracket(PB108)  
(L108\*W60\*H37mm)



Linkable Bracket(LB250)  
(L250\*W63\*H23mm)

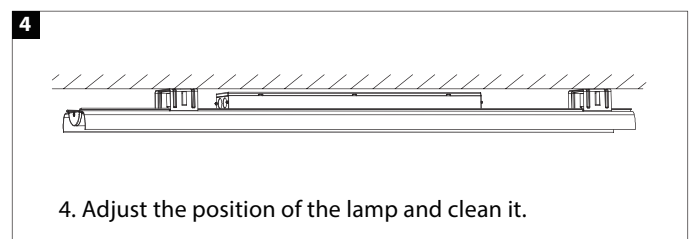
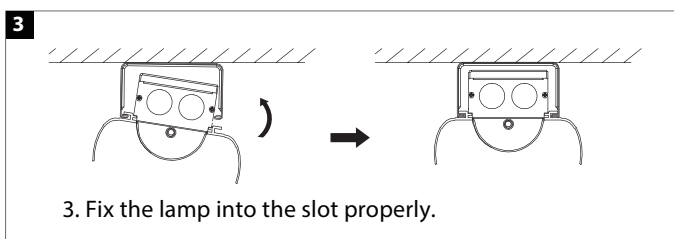
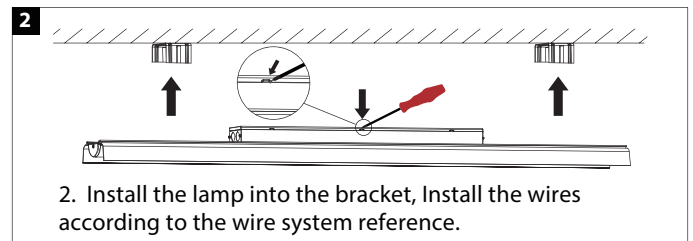
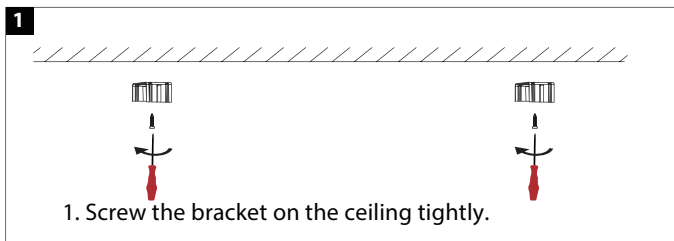


Model NO.	Bottom Bracket (BB01)	Pothook Bracket (PB108)	Suspending Rope (SR01)	Linkable Bracket (LB250)
	☑	☑	☑	☑

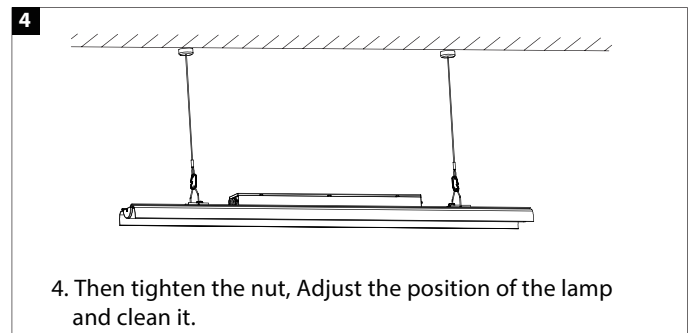
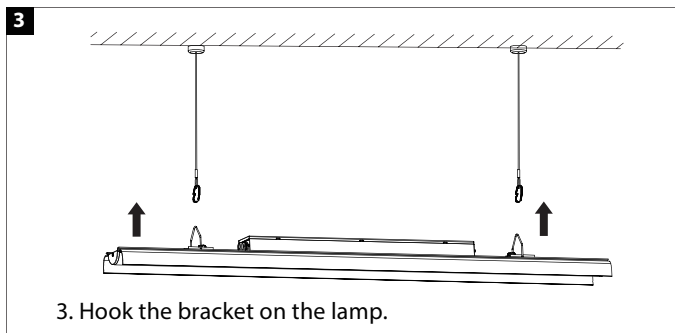
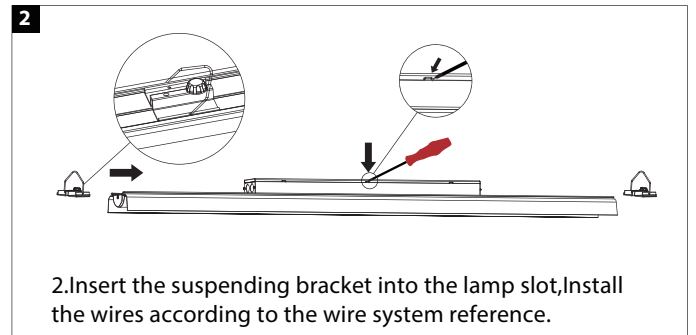
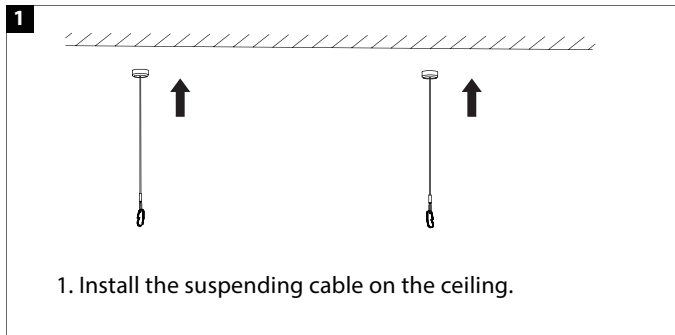
\* ☑ Available option    ○ Pending option    ☒ Not available

## Installation

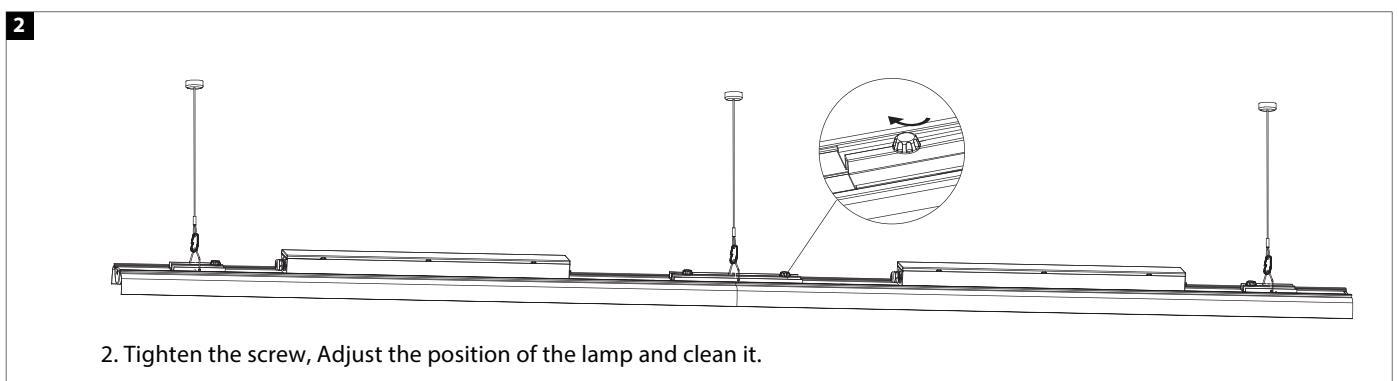
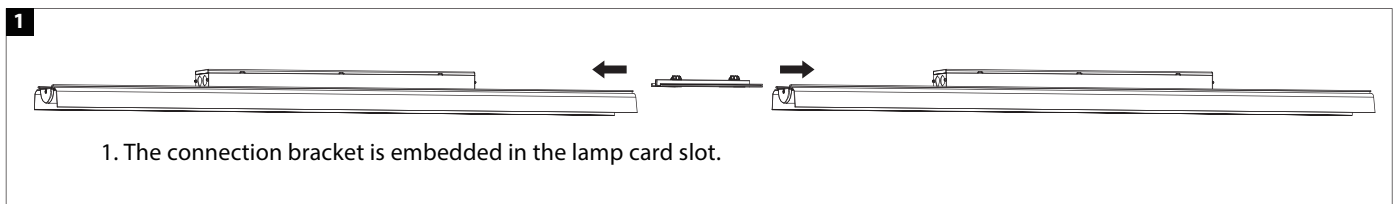
### ◆ Ceiling Mounted installation



## ◆ Suspending installation

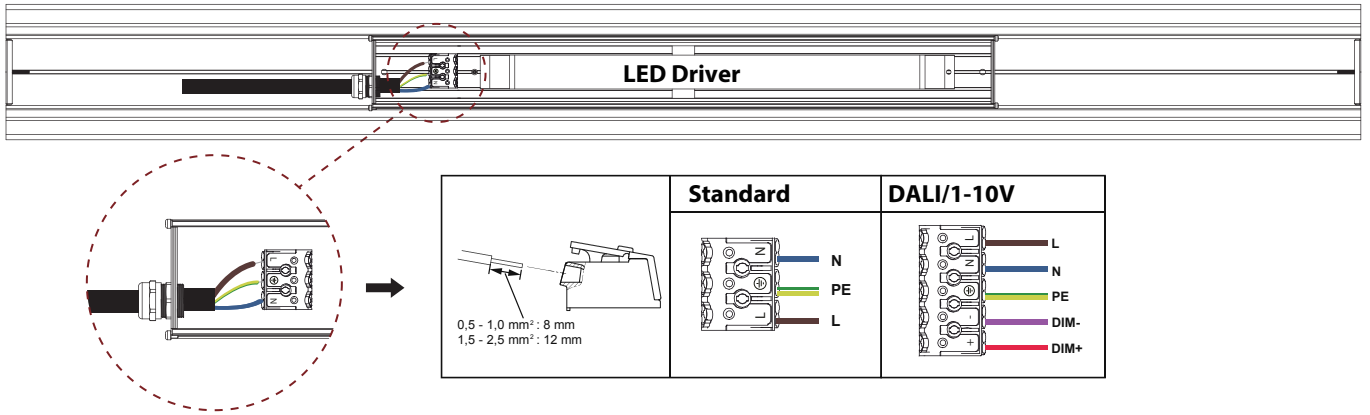


## ◆ Linkable installation

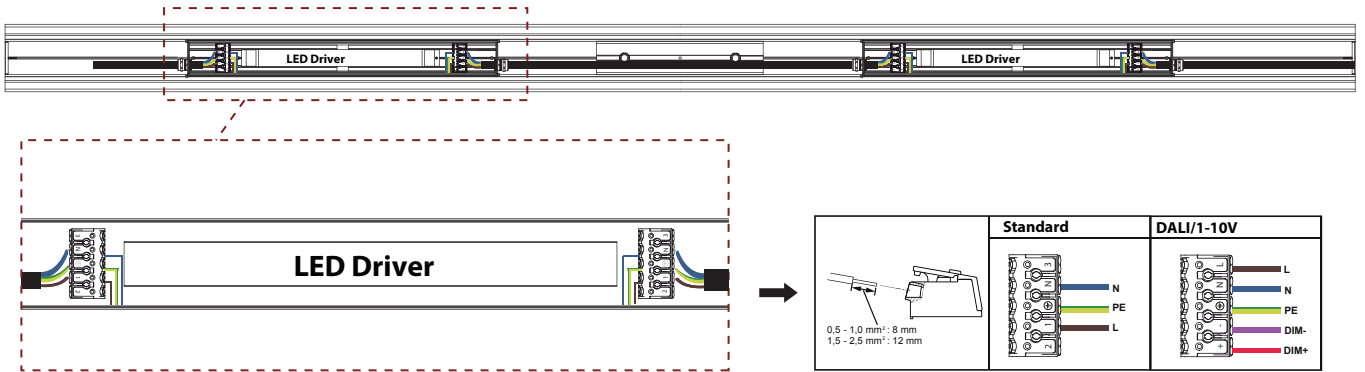


# Wire system

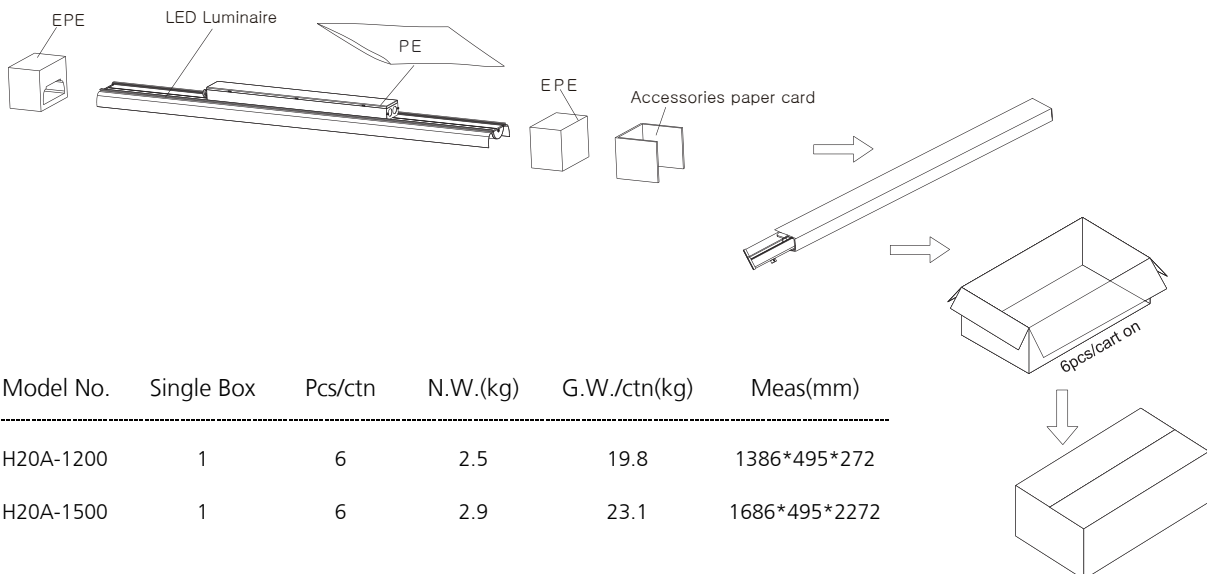
## ◆ Standard



## ◆ Through-wiring



# Packaging



## Attention

This specification is for reference only,we reserve the right to change without notice.If you need the updated info,please contact local distributors or visit our website at <http://www.ervan.cn>

ERVAN reserves the right of final explanation.